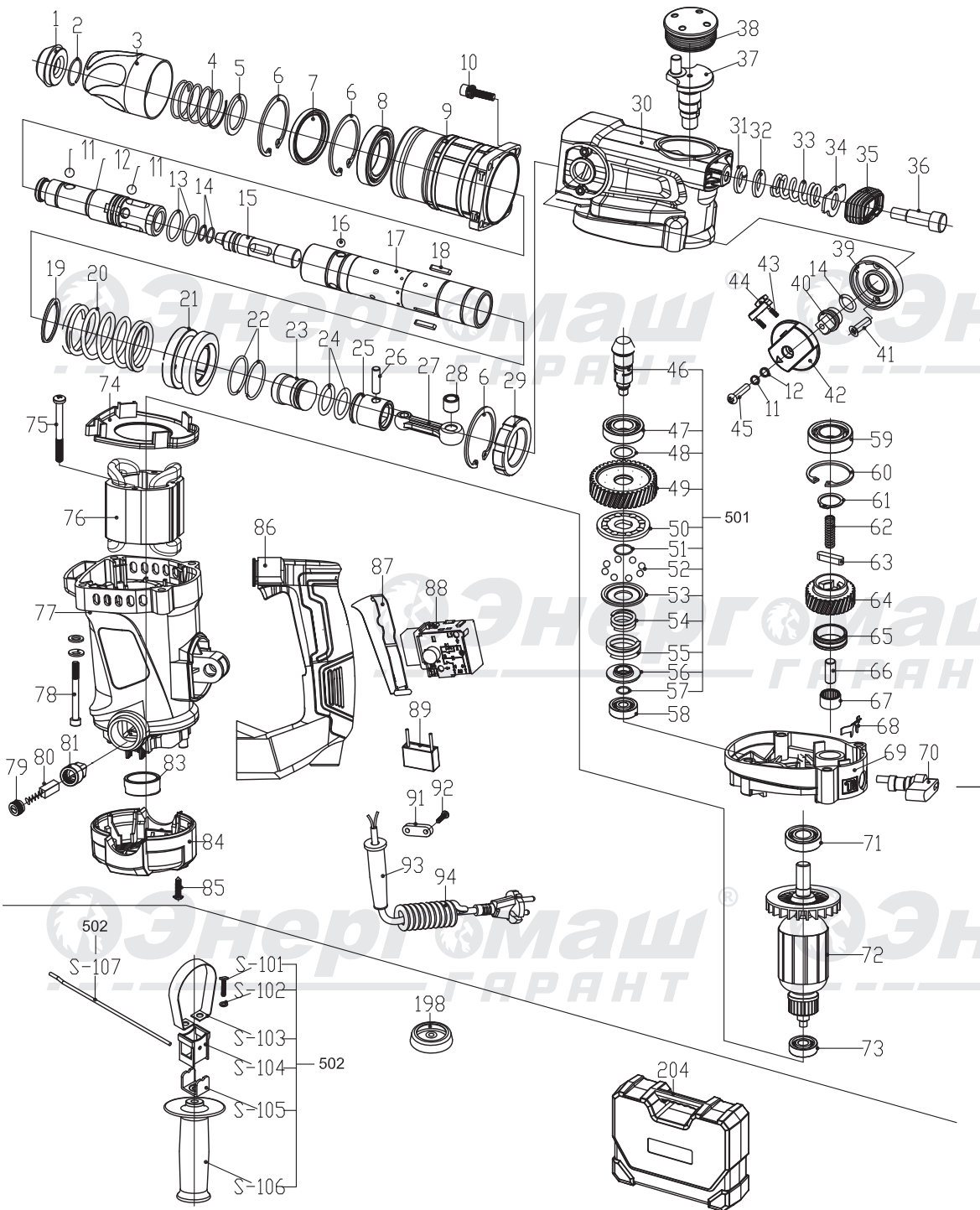


ПР1-1300



| NO. | DESCRIPTION | NO. | DESCRIPTION |
|-----|-------------------------------|-------|-------------------------------|
| 1 | FRONT COVER | 53 | TRIP ACTIVE PLATE |
| 2 | CLIP RING | 54 | TRIP INSIDE SPRING |
| 3 | STEEL BALL BLOCK | 55 | TRIP OUTSIDE SPRING |
| 4 | STEEL BALL BLOCK SPRING | 56 | TRIP SPRING SEAT |
| 5 | STEEL BALL BLOCK SPRING PLATE | 57 | CLIP RING |
| 6 | CLIP RING | 58 | BERING 627Z |
| 7 | OIL SEALING | 59 | BERING 6003Z |
| 8 | BEARING 61906 | 60 | CLIP RING 35 |
| 9 | FRONT PLACKET | 61 | CLIP RING 17 |
| 10 | SCREW M5*22 | 62 | TOP HAMMER SPRING |
| 11 | STEEL BALL 7.14 | 63 | FLAT KEY |
| 12 | ROTATE SLEEVE | 64 | FIRST GEAR |
| 13 | O RING 19.8*2 | 65 | SUPPORT COVER |
| 14 | O RING 11*2 | 66 | HAMMER |
| 15 | IMPACT HAMMER | 67 | NEEDLE BEARING HK1210 |
| 16 | STEEL BALL | 68 | BUTTERFLY CARD |
| 17 | CYLINDER | 69 | MIDDLE COVER |
| 18 | FLAT KEY | 70 | BUTTON |
| 19 | BIG SPRING PLATE | 71 | BEARING 6000 |
| 20 | BIG SPRING | 72 | ROTOR |
| 21 | BIG GEAR | 73 | BEARING 608 |
| 22 | CLIP RING 27.6*1.6 | 74 | GUIDE RING |
| 23 | AIR HAMMER | 75 | SCREW ST4X55 |
| 24 | O RING 18*3.05 | 76 | STATOR |
| 25 | PISTON 24MM | 77 | HOUSING |
| 26 | PISTON PIN | 78 | SCREWM5X55 |
| 27 | CONNECTING ROD | 79 | BRUSH HOLDER COVER |
| 28 | SMALL OIL BEARING | 80 | CARBON BRUSH |
| 29 | OIL BEARING | 81 | CARBON BRUSH HOLDER |
| 30 | GEAR BOX | 83 | BEARING BUSH |
| 31 | SPRING RING | 84 | BACK COVER |
| 32 | FLAT PLATE | 85 | SCREW ST4X20 |
| 33 | DAMPING SPRING | 86 | HANDLE |
| 34 | DAMPING PLATE | 87 | SWITCH HAND |
| 35 | DAMPING RUBBER SLEEVE | 88 | SWITCH |
| 36 | DAMPING SCREW | 89 | CAPACITANCE |
| 37 | ECCENTRIC SHAFT | 91 | CABLE CLAMP |
| 38 | OIL COVER | 92 | SCREWST4X16 |
| 39 | KNOB SEAT | 93 | CABLE SHEATH |
| 40 | KNOB SHAFT | 94 | CABLE |
| 41 | SCREW M4X12 | S-101 | SCREW |
| 42 | KNOB | S-102 | FLAT PLATE |
| 43 | BUTTON SPRING | S-103 | CLOSING RING OF ASSIST HANDLE |
| 44 | BUTTON | S-104 | AL SURPORT. |
| 45 | SCREW M5X12 | S-105 | BRACKET OF ASSIST HANDLE |
| 46 | SMALL GEAR | S-106 | ASSIST HANDLE |
| 47 | BERING 16002 | S-107 | DEPTH GAUGE |
| 48 | SMALL GEAR BEARING GASKET | 198 | DUST COVER |
| 49 | SECOND GEAR | 204 | BMC |
| 50 | TRIP FIXED PLATE | 501 | SMALL GEAR ASSEMBLY |
| 51 | CLIP RING | 502 | ASSIST HANDLE ASSEMBLY |
| 52 | STEEL BALL | | |